

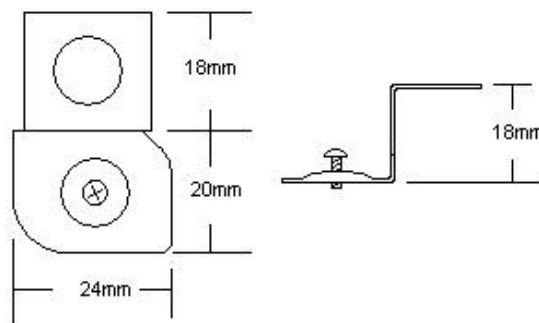


www.allenlighting.com.au  
ABN 99 099 066 083

## ESUSBKTZ

The ESUSBKTZ (Envirolume suspension bracket) will allow the installation of wire suspensions (WSUS) at almost any point along the Envirolume channel.

- Chrome plated steel.
- 10mm suspension hole to take the WSUS.
- 4mm locking screw.



- To install fit rounded corners in the channel
- Twist into place.
- Tighten the screw.

