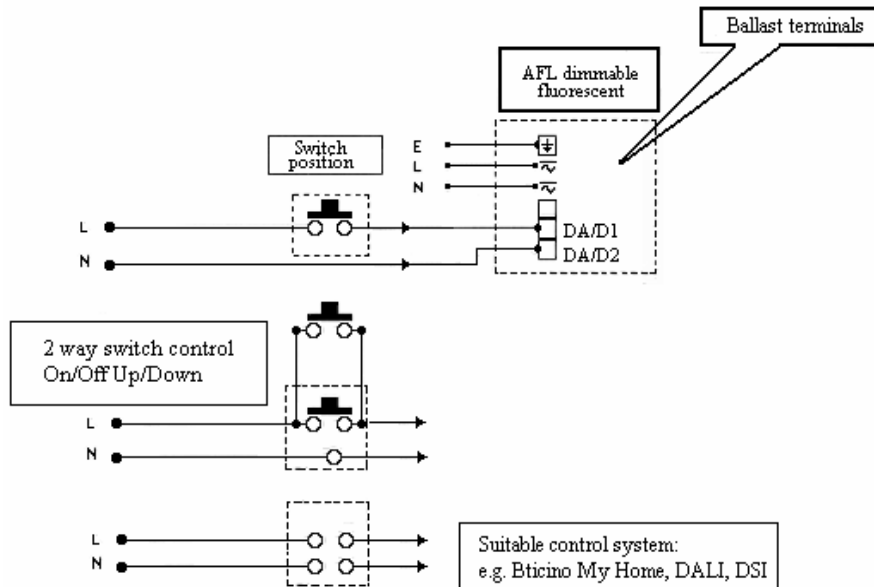




www.allenlighting.com.au

Standard wiring diagram for dimmable ballasts (wiring of single ballasts)



- L – Unswitched active (Danger!! – isolate circuit before opening)
- N – Neutral
- E – Earth

Wall switch must be momentary closed contact switch similar to HPM 770XM.
The unit must be installed by a licensed electrical contractor.

Leading lamp manufacturers advise that lamps should be run for 100 hours at full brightness before the dimming function is used and that failure to do so may shorten the lamp life.

All cables to be 240v rated and in accordance with AS/NZ3000 wiring rules.

There must be 5 wires installed at the light – Live, Neutral and Earth plus 2 control wires back to the switch.